



PHANTOM-XL

COMMERCIAL HIGH EFFICIENCY CONDENSING BOILERS



- Five Sizes - 399 MBH to 1000 MBH
- 10:1 turndown, Natural gas or LP
- Venting of up to 200 (combined) equivalent ft.
- Fits through standard doorways
- 97% Thermal Efficiency

SAVES SPACE

- Reduced footprint, zero clearance
- Stackable - Doubles MBH/sq.ft.

SIMPLIFIED SPECIFICATION & INSTALLATION

- CSD-1 Compliant (gas train & controls)
- Advanced Concert™ control system
 - Touchscreen with intuitive navigation and menus
 - Cascade up to 8 boilers
 - Data/event logging
- Modbus connectivity

RELIABILITY & SERVICEABILITY

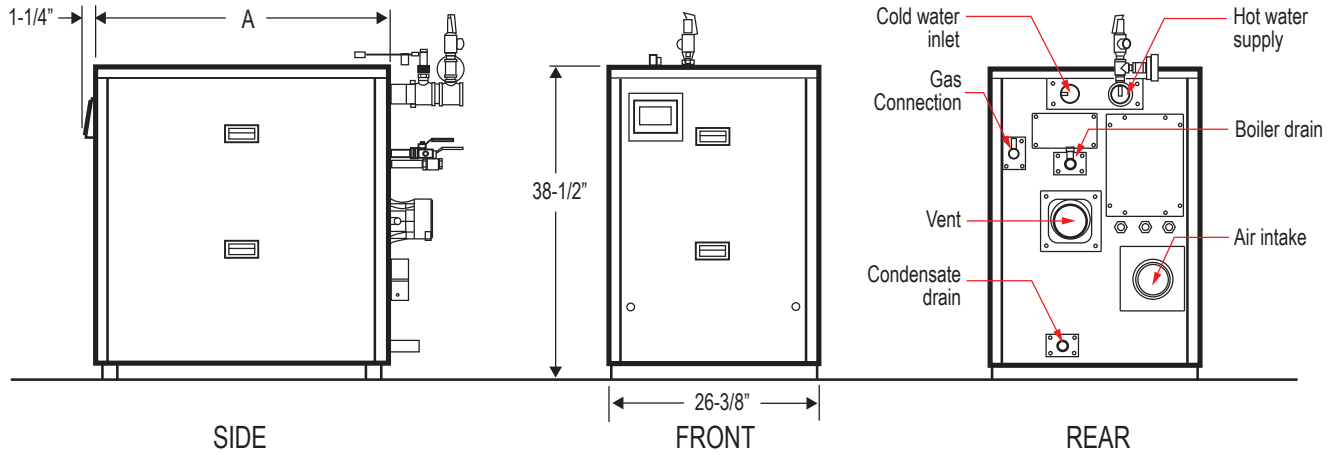
- Commercial-grade water tube heat exchanger
- Easy access to all boiler service locations
- Complete control panel access: slide out



Quality
Value &
Service

PHANTOM-XL™ COMMERCIAL HIGH EFFICIENCY CONDENSING BOILERS

TECHNICAL SPECIFICATIONS



PHANTOM-XL: Boiler Model Technical Information

Phantom-XL Commercial Ratings & Specifications (sea level to 2000 feet) ¹													
SPACE HEATING RATINGS						AHRI CERTIFIED		A (IN.)	WATER CONTENT (GAL.)	VENT CONNECTION (IN.)	GAS CONNECTION (NPT)	SUPPLY & RETURN CONNECTION (NPT)	APPROX. SHIPPING WEIGHT (LBS.)
MODEL	MAX. INPUT (MBH)	MIN. INPUT (MBH)	GROSS OUTPUT (MBH)	NET AHRI WATER RATING (MBH)	THERMAL EFFICIENCY %								
PHX 400	399	40	387	337	97	37-3/4	3.8	4	3/4	2	460		
PHX 500	500	50	485	422	97	37-3/4	4.3	4	3/4	2	470		
PHX 650	650	65	631	548	97	53-7/8	5.6	6	1	2	530		
PHX 800	800	80	776	675	97	53-7/8	6.6	6	1	2	560		
PHX 1000L	999	100	970	843	97	53-7/8	8.1	6	1	2	600		

1. For installations at altitudes above 2,000 ft. consult the installation manual for boiler de-rates and approved applications.

Flow Range Requirement Through Boiler

MODEL	Delta 20 °F		Delta 25 °F		Delta 30 °F		Delta 35 °F		Delta 40 °F		Delta 45 °F		Delta 50 °F		Delta 55 °F ¹	
	GPM	Head Loss (ft)	GPM	Head Loss (ft)	GPM	Head Loss (ft)	GPM	Head Loss (ft)	GPM	Head Loss (ft)	GPM	Head Loss (ft)	GPM	Head Loss (ft)	GPM	Head Loss (ft)
PHX 400	39	12.4	31	8.4	26	6.2	22	4.7	19	3.8	17	3.1	16	2.6	14	2.2
PHX 500	49	13.7	39	9.3	32	6.7	28	5.1	24	4.1	22	3.3	19	2.7	18	2.3
PHX 650	63	11.8	50	8.2	42	6.1	36	4.7	32	3.8	28	3.1	25	2.6	23	2.3
PHX 800	78	12.8	62	9.2	52	7.0	44	5.6	39	4.6	34	3.9	31	3.3	28	2.9
PHX 1000L	97	14.6	78	9.9	65	7.2	55	5.5	49	4.4	43	3.6	39	3.0	35	2.5

1. This boiler has a temperature rise (delta) limit of 55 °F.

Streamlines Replacement

- 3-in-1 vent connector, multiple venting options
- Up to 200 equivalent ft. of venting
- Simplified wiring - separate low/high voltage boards

Warranty: 10-year limited heat exchanger. 1-year parts & burner. Visit VelocityBoilerWorks.com or see your warranty for complete details.

Specifications are subject to change without notice.

