

---

# Domestic Hot Water Piping Kit

---

## WARNING

### **Asphyxiation Hazard. Fire Hazard. Explosion Hazard.**

This boiler must be installed, serviced or repaired by a qualified installer, service agency or gas supplier. Improper installation, adjustment, alteration, service or maintenance can cause severe personal injury, death, or substantial property damage. Read and understand these instructions and entire boiler manual before attempting to install boiler and piping kit. Up to date boiler manual is posted on manufacturer's website.

### **Instructions apply to the following accessory:**

Accessory Part	Description
112504-01	Domestic Hot Water Piping Kit

### **Included with this accessory:**

- Pressure Relief Valve
- Mixing Valve
- Drain Valves (X2)
- Piping Assemblies
- Instructions
- Gaskets

### **Recommended tools:**

- Adjustable wrenches
- Press Tool and/or Solder Torch
- Solder

### **To install piping kit, perform the following steps:**

1. Assemble piping kit as shown in Figure 1.
2. Follow piping section of Installation, Operating and Service Instructions to connect to domestic system piping. 3/4 in. connections can be sweat or press for cold water inlet and sweat only for hot water outlet.
3. Follow Start-Up and Checkout in Installation, Operating and Service Instructions.

## WARNING

### **Burn Hazard.**

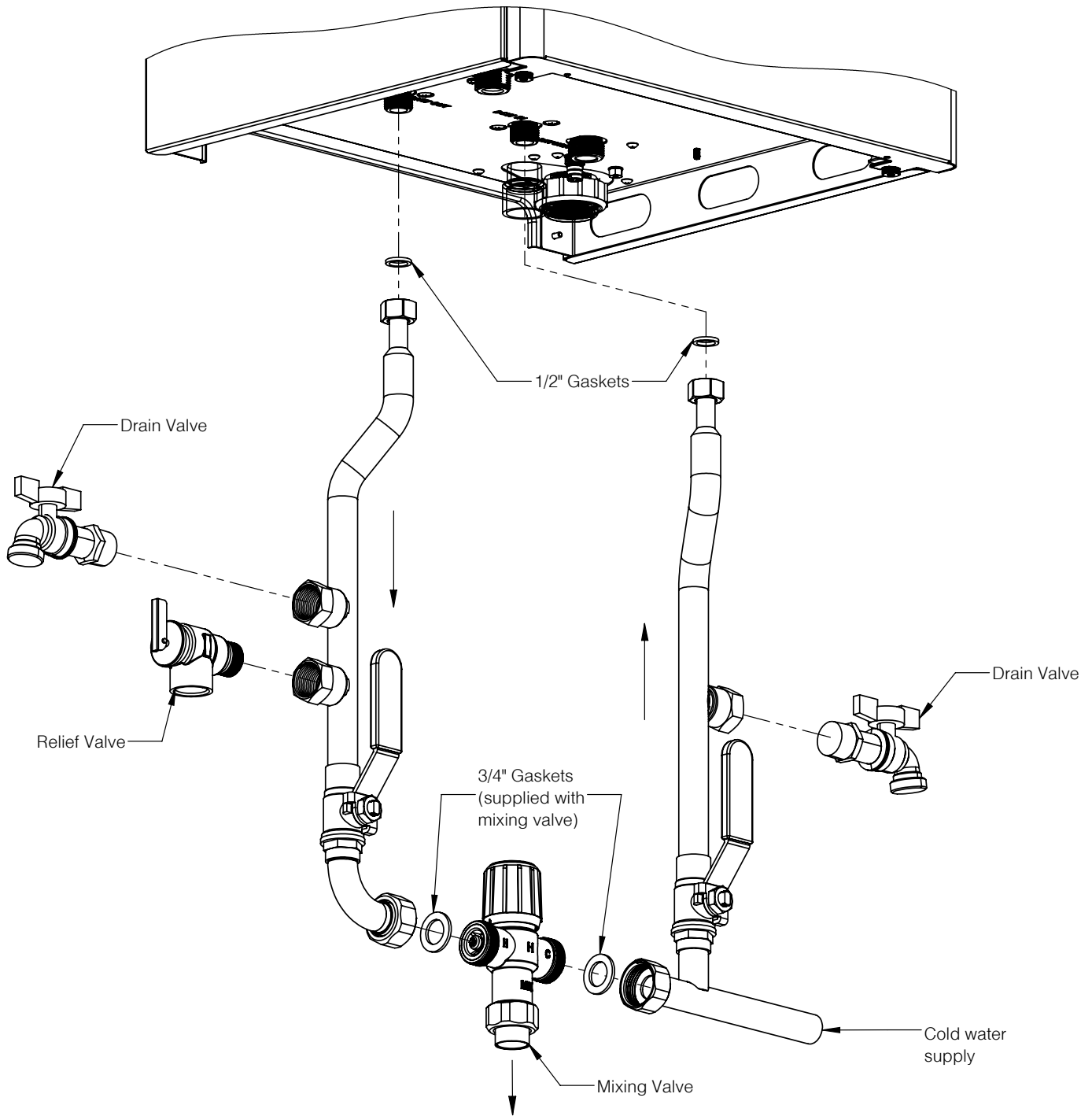
Pressure relief valve discharge piping must be piped near floor to eliminate potential of severe burns. Do not pipe in any shut-off valves between:

1. Pressure relief valve and boiler
  2. Pressure relief valve and discharge.
- Union may be installed in pressure relief valve piping.

## WARNING

### **Burn Hazard.**

Excessive heat during soldering could damage gaskets. All piping should be checked for leaks after assembly. Failure to do so could result in personal injury or substantial property damage.



**Figure 1: Domestic Hot Water Piping Kit**