



# PHANTOM-XL

## COMMERCIAL HIGH EFFICIENCY WATER HEATERS



- Five Sizes - 399 MBH to 1000 MBH
- 10:1 turndown, Natural gas or LP
- Venting of up to 200 (combined) equivalent ft.
- Fits through standard doorways
- 98% Thermal Efficiency

### SAVES SPACE

- Reduced footprint, zero clearance
- Stackable - Doubles MBH/sq.ft.

### SIMPLIFIED SPECIFICATION & INSTALLATION

- CSD-1 Compliant (gas train & controls)
- Advanced Concert™ control system
  - Touchscreen with intuitive navigation and menus
  - Cascade up to 8 boilers
  - Data/event logging
- Modbus connectivity

### RELIABILITY & SERVICEABILITY

- Commercial-grade water tube heat exchanger
- Easy access to all boiler service locations
- Complete control panel access: slide out

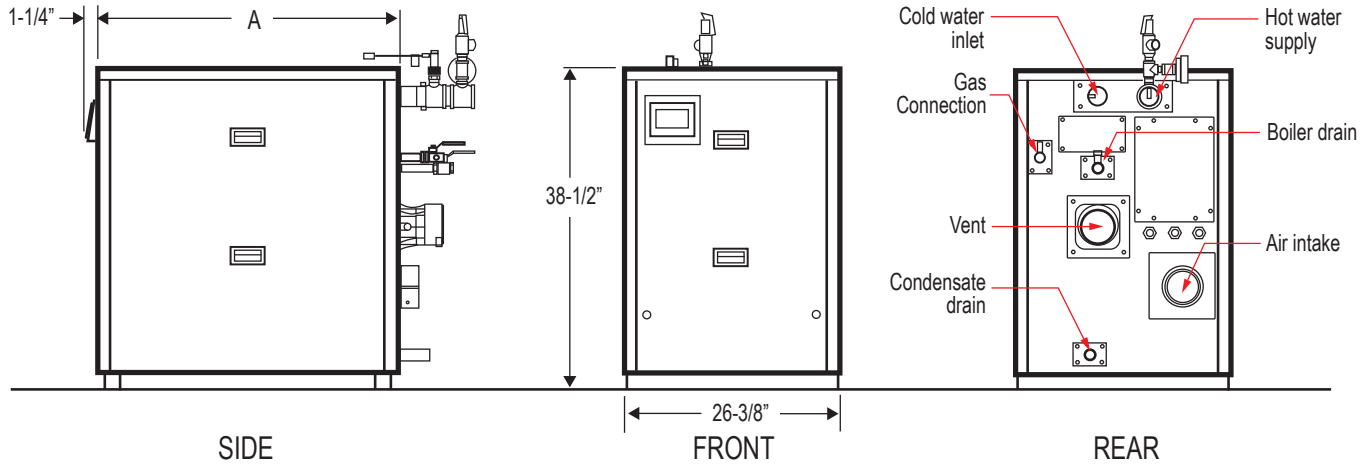


Quality  
Value &  
Service

# PHANTOM-XL™

# COMMERCIAL HIGH EFFICIENCY WATER HEATERS

## TECHNICAL SPECIFICATIONS



## PHANTOM-XL(W): Water Heater Model Technical Information

Phantom-XL(W) Commercial Ratings & Specifications (sea level to 2000 feet)<sup>1</sup>

WATER HEATER RATINGS						A		WATER CONTENT	VENT CONNECTION	GAS CONNECTION	SUPPLY & RETURN CONNECTION	APPROX. SHIPPING WEIGHT
MODEL	MAX. INPUT (MBH)	MIN. INPUT (MBH)	GROSS OUTPUT (MBH)	DHW RECOVERY <sup>2</sup> (GPH)	THERMAL EFFICIENCY %	(IN.)	(GAL.)	(IN.)	(NPT)	(NPT)	(LBS.)	
PHXW 400	399	40	391	470	98	36-1/2	3.8	4	3/4	2	460	
PHXW 500	500	50	490	588	98	36-1/2	4.3	4	3/4	2	470	
PHXW 650	650	65	637	764	98	52-3/8	5.6	6	1	2	530	
PHXW 800	800	80	784	941	98	52-3/8	6.6	6	1	2	560	
PHXW 1000L	999	100	980	1176	98	52-3/8	8.1	6	1	2	600	

- For installations at altitudes above 2,000 ft. consult the installation manual for boiler de-rates and approved applications.
- Based on 40°F to 140°F temperature rise.

## Flow Range Requirement Through Water Heater

MODEL	Delta 20 °F		Delta 25 °F		Delta 30 °F		Delta 35 °F		Delta 40 °F		Delta 45 °F		Delta 50 °F		Delta 55 °F <sup>1</sup>	
	GPM	Head Loss (ft)	GPM	Head Loss (ft)	GPM	Head Loss (ft)	GPM	Head Loss (ft)	GPM	Head Loss (ft)	GPM	Head Loss (ft)	GPM	Head Loss (ft)	GPM	Head Loss (ft)
PHXW 400	39	12.4	31	8.4	26	6.2	22	4.7	19	3.8	17	3.1	16	2.6	14	2.2
PHXW 500	49	13.7	39	9.3	32	6.7	28	5.1	24	4.1	22	3.3	19	2.7	18	2.3
PHXW 650	63	11.8	50	8.2	42	6.1	36	4.7	32	3.8	28	3.1	25	2.6	23	2.3
PHXW 800	78	12.8	62	9.2	52	7.0	44	5.6	39	4.6	34	3.9	31	3.3	28	2.9
PHXW 1000L	97	14.6	78	9.9	65	7.2	55	5.5	49	4.4	43	3.6	39	3.0	35	2.5

- This water heater has a temperature rise (delta) limit of 55 °F.

### Streamlines Replacement

- 3-in-1 vent connector, multiple venting options
- Up to 200 equivalent ft. of venting
- Simplified wiring - separate low/high voltage boards

Warranty: 10-year limited heat exchanger. 1-year parts & burner. Visit [VelocityBoilerWorks.com](http://VelocityBoilerWorks.com) or see your warranty for complete details.

Specifications are subject to change without notice.

